

Oventrop Double Regulating and Commissioning Valve

SERIES 7890

The Series 7890 grooved end Double Regulating and Commissioning valves (DRV) are available for use in hot and chilled water systems. These valves achieve a hydronic balance between the various circuits of the system and perform presetting, measuring, isolating, filling and draining system functions.

The balance is achieved by a presetting with memory position. The calculated flow rate or pressure loss for each individual pipe can be preset centrally and be regulated precisely. All intermediate values are infinitely adjustable. The selected presetting can be read off two scales, basic setting longitudinal scale and fine setting peripheral scale. The presetting is reproducible by opening the valve until stop. The flow charts are valid for the installation of the double regulating and commissioning valves in the supply or the return pipe, provided that the direction of flow conforms with the arrow on the valve body. The Oventrop double regulating and commissioning valves have two threaded ports which are equipped with the pressure test points for measuring the differential pressure.

The double regulating and commissioning valves may be installed in either the supply or the return pipe. The Series 7890 is available in sizes DN 65 through DN 300 and temperature ratings are governed by the connecting coupling gasket ratings. All functioning components on one level and pressure test point and fill and drain ball valve are interchangeable.



MATERIAL SPECIFICATIONS

Body: Cast iron conforming to EN-GJL-250 DIN EN 1561

Bonnet:

Sizes DN65 – DN150: Bronze

Sizes DN200 – DN300: Nodular cast iron conforming to EN-GJS-400 DIN EN 1563

Disc: Bronze with PTFE seal

Stem: Dezincification resistant brass

Stem seal: Double EPDM o-ring.

JOB/OWNER

System No. _____

Location _____

CONTRACTOR

Submitted By _____

Date _____

ENGINEER

Spec Sect _____ Para _____

Approved _____

Date _____

www.victaulic.com

VICTAULIC IS A REGISTERED TRADEMARK OF VICTAULIC COMPANY. © 2006 VICTAULIC COMPANY. ALL RIGHTS RESERVED. PRINTED IN THE USA.

REV_A



Oventrop Double Regulating and Commissioning Valve

SERIES 7890

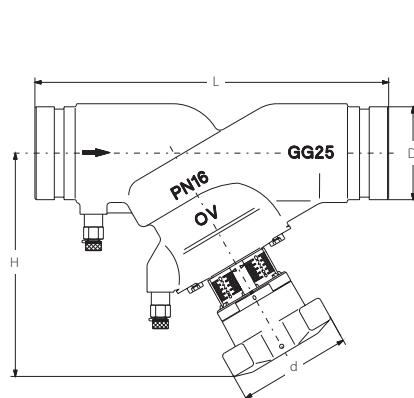
DIMENSIONS

DRV DN65 – DN300
 PN 16 up to 150°C
 PN 20 for cold water services

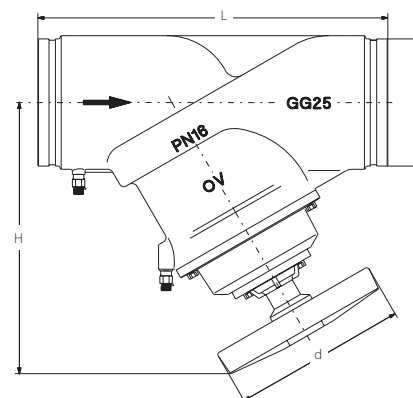
Size		Dimensions – mm			
DN	OD	L	D	H	d
65	73,0	290	73,0	188	110
65	76,1	290	76,1	188	110
80	88,9	310	88,9	203	110
100	114,3	350	114,3	240	160
125	139,7	400	139,7	283	160
150	165,1	480	165,1	285	160
150	168,3*	480	168,3	285	160
200	219,1	600	219,1	467	300
250	273,0	730	273,0	480	300
300	323,9	850	323,9	515	300

* Sizes available with specific request.

NOTE: Lengths according to DIN EN 558-1 (basic series 1)



DN65 – DN150 SIZES



DN200 – DN300 SIZES

Oventrop Double Regulating and Commissioning Valve

SERIES 7890

PRESETTING

DRV DN65 – DN150

- The value of presetting of the valve is adjusted by turning the handwheel.
 - The display of the basic setting is shown by the longitudinal scale together with the sliding indicator. Each turn of the handwheel is represented by a line on the longitudinal scale.
 - The display of the fine setting is shown by the peripheral scale on the handwheel together with the marking. The subdivisions of the peripheral scale correspond to $\frac{1}{10}$ th of a turn of the handwheel.
- Remove cover plug by introducing a screwdriver in the slot and gently prising it off.
- Undo screw by means of a 8mm Allen key.
- With the valve at the required value of presetting, turn the inner adjustment stem clockwise until it seats. This can be done by using the long end of a 4 mm Allen key.
- Replace and tighten screw by means of a 8mm Allen key.
- Refit cover plug.

Visibility/readability of the setting scales:

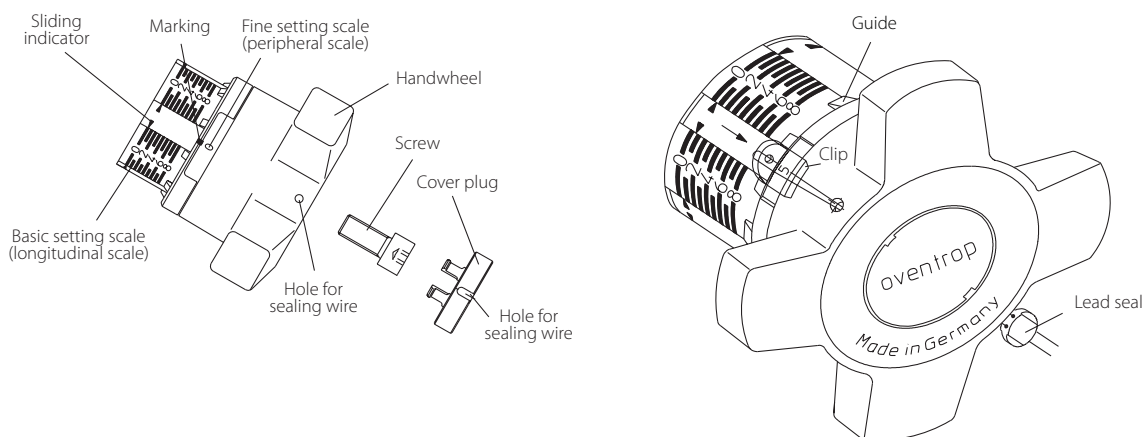
Depending on the installation position of the double regulating and commissioning valve, an improvement of the visibility/readability of the setting scales is obtained by twisting the scales. With the valve fully closed and the two setting scales on "0", remove cover plug, undo screw and with a light tug pull the handwheel from the valve stem. Next, without altering the presetting (still indicating "0"), adjust the position of the handwheel so that the indicator window of the longitudinal scale is clearly visible. Finally refit the handwheel to the valve stem, tighten the screw and replace the cover plug.

Protecting the setting:

A sealing wire may be fitted through the hole in the handwheel and a lead seal be fitted.

Locking the handwheel:

The handwheel can be locked in any position (display $\frac{1}{10}$ th of a turn). Fit the enclosed clip in the cut-out in the handwheel below the holes between the guides, making sure it locates into the sliding indicator (see sketch). The clip can now be sealed as illustrated. It is essential that the sealing wire is fitted tightly.



Oventrop Double Regulating and Commissioning Valve

SERIES 7890

PRESETTING

DRV DN 200 – DN 300

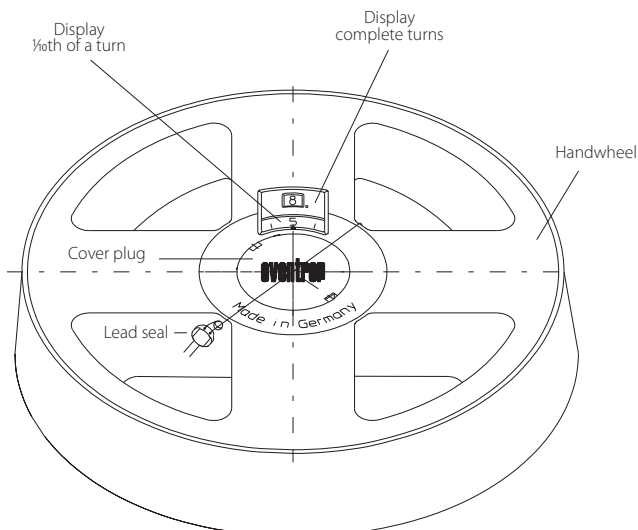
1. The value of presetting of the valve is adjusted by turning the handwheel.
 - a. The complete 12 turns of the handwheel are shown by the outer display.
 - b. $\frac{1}{10}$ th of a turn of the handwheel is shown by the inner display.
2. Remove cover plug by introducing a screwdriver in the slot and gently prising it off.
3. With the valve at the required value of presetting, turn the inner adjustment stem clockwise until it seats. This can be done by using a 10mm screwdriver.
4. Refit cover plug.

Protecting the setting:

A sealing wire may be fitted through the hole in the handwheel and a lead seal be fitted.

Locking the handwheel:

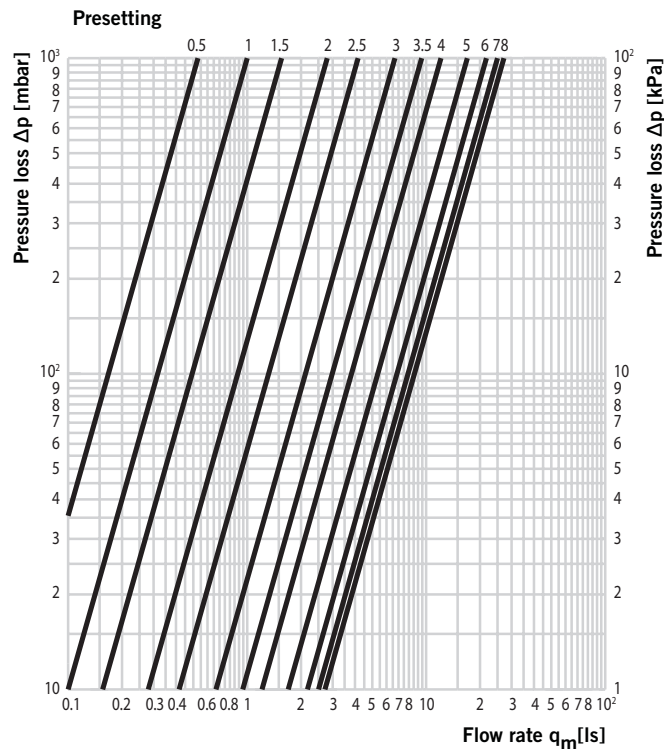
The handwheel can be locked in any position (display $\frac{1}{10}$ th of a turn) by removing the existing cover plug and replacing it with a special one. The sealing wire is then fitted through the hole in the handwheel and a lead seal is fitted



Oventrop Double Regulating and Commissioning Valve

SERIES 7890

FLOW CHARACTERISTICS DN65

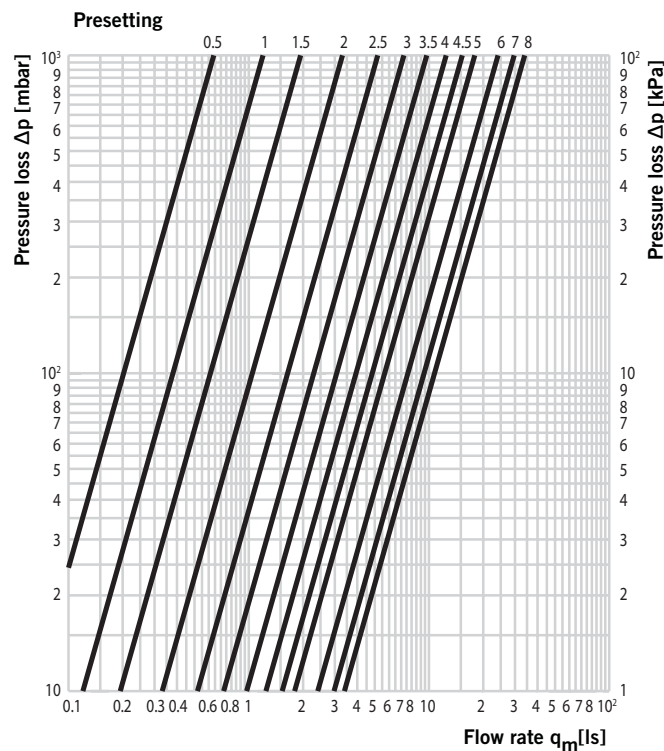


Presetting	Kv Values	Zeta Values
0.5	1.90	8454
1.0	3.60	2355
1.1	4.12	1798
1.2	4.49	1514
1.3	4.86	1292
1.4	5.23	1116
1.5	5.60	973
1.6	6.43	738
1.7	7.29	574
1.8	8.17	457
1.9	9.07	371
2.0	10.00	305
2.1	10.95	255
2.2	11.91	215
2.3	12.95	183
2.4	13.94	157
2.5	15.00	136
2.6	16.66	110
2.7	18.38	90
2.8	20.14	75
2.9	21.95	61
3.0	24.00	53
3.1	25.73	46
3.2	27.70	40
3.3	29.74	35
3.4	31.84	30
3.5	34.00	26
3.6	35.93	24
3.7	37.84	21
3.8	39.74	19
3.9	41.63	18
4.0	43.50	16
4.1	45.36	15
4.2	47.20	14
4.3	49.03	13
4.4	50.85	12

Presetting	Kv Values	Zeta Values
4.5	52.00	11
4.6	54.45	10
4.7	56.23	10
4.8	58.00	9.1
4.9	59.74	8.6
5.0	61.00	8.2
5.1	63.21	7.6
5.2	64.93	7.2
5.3	66.63	6.9
5.4	68.32	6.5
5.5	70.00	6.2
5.6	71.69	5.9
5.7	73.33	5.7
5.8	74.93	5.4
5.9	76.48	5.2
6.0	78.00	5.0
6.1	79.48	4.8
6.2	80.91	4.7
6.3	82.31	4.5
6.4	83.67	4.4
6.5	85.00	4.2
6.6	86.12	4.1
6.7	87.20	4.0
6.8	88.23	3.8
6.9	89.23	3.8
7.0	90.00	3.8
7.1	91.13	3.7
7.2	92.02	3.6
7.3	92.89	3.5
7.4	93.71	3.5
7.5	94.50	3.4
7.6	95.27	3.4
7.7	96.00	3.3
7.8	96.70	3.2
7.9	97.36	3.1
8.0	98.00	3.0

Zeta values related to the inner pipe diameter according to DIN 2448 (DIN ISO 4200) (66.1 mm)

DN80



Presetting	Kv Values	Zeta Values
0.5	2.30	11016
1.0	4.40	3010
1.1	4.74	2594
1.2	5.17	2180
1.3	5.67	1813
1.4	6.28	1478
1.5	7.00	1189
1.6	7.89	936
1.7	8.82	749
1.8	9.78	609
1.9	10.79	500
2.0	11.85	415
2.1	12.95	347
2.2	14.11	293
2.3	15.33	248
2.4	16.61	211
2.5	18.65	168
2.6	19.39	155
2.7	20.90	133
2.8	22.51	115
2.9	24.24	99
3.0	26.10	86
3.1	27.85	75
3.2	29.61	66
3.3	31.39	59
3.4	33.19	53
3.5	35.00	48
3.6	36.83	43
3.7	38.68	39
3.8	40.55	35
3.9	42.43	32
4.0	44.75	29
4.1	46.27	27
4.2	48.21	25
4.3	50.19	23
4.4	52.18	21

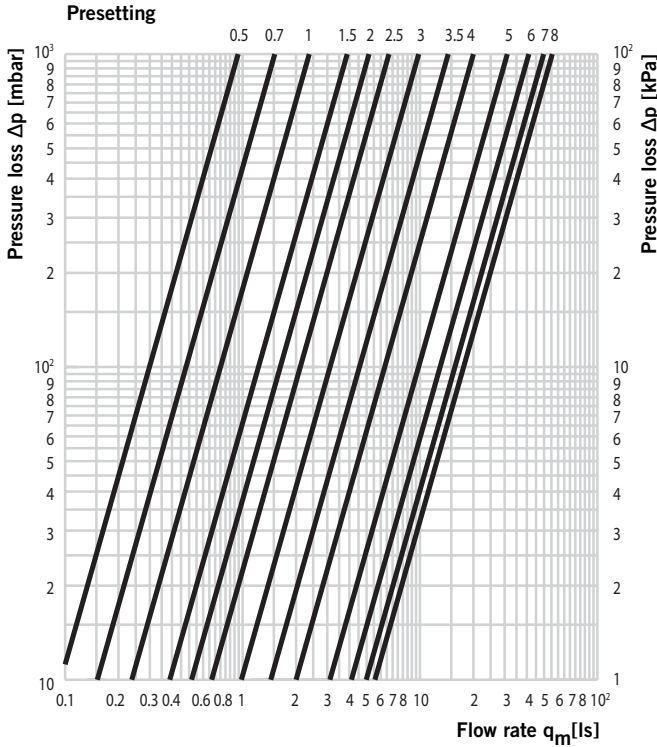
Presetting	Kv Values	Zeta Values
4.5	55.20	19
4.6	56.22	18
4.7	58.28	17
4.8	60.36	16
4.9	62.47	15
5.0	64.60	14.0
5.1	66.98	13.0
5.2	69.32	12.0
5.3	71.63	11.0
5.4	73.90	11.0
5.5	75.45	10.0
5.6	78.37	9.5
5.7	80.56	9.0
5.8	82.72	8.5
5.9	84.85	8.1
6.0	87.00	7.7
6.1	89.04	7.4
6.2	91.00	7.0
6.3	93.13	6.7
6.4	95.14	6.4
6.5	97.55	6.1
6.6	99.10	5.9
6.7	101.04	5.7
6.8	102.96	5.5
6.9	104.87	5.3
7.0	106.75	5.1
7.1	108.39	5.0
7.2	110.00	4.8
7.3	111.60	4.7
7.4	113.00	4.6
7.5	114.50	4.4
7.6	116.13	4.3
7.7	117.78	4.2
7.8	119.27	4.1
7.9	120.74	4.0
8.0	122.20	3.9

Zeta values related to the inner pipe diameter according to DIN 2448 (DIN ISO 4200) (77.7 mm)

Oventrop Double Regulating and Commissioning Valve

SERIES 7890

FLOW CHARACTERISTICS DN100

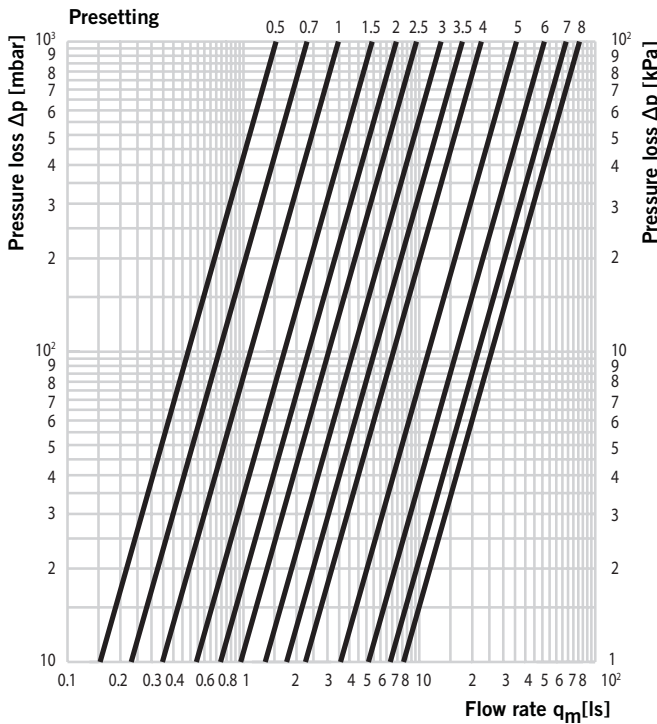


Presetting	Kv Values	Zeta Values
0.5	3.40	14279
0.7	5.46	5537
1.0	8.55	2258
1.1	9.58	1799
1.2	10.61	1466
1.3	11.64	1218
1.4	12.67	1028
1.5	14.00	842
1.6	14.73	761
1.7	15.76	665
1.8	16.79	586
1.9	17.82	520
2.0	18.50	482
2.1	19.88	418
2.2	20.91	378
2.3	21.95	343
2.4	22.97	313
2.5	24.00	287
2.6	26.00	244
2.7	28.13	209
2.8	30.40	179
2.9	32.81	153
3.0	35.40	132
3.1	38.18	113
3.2	41.17	97
3.3	44.44	84
3.4	48.02	72
3.5	52.00	61
3.6	55.93	53
3.7	59.89	46
3.8	63.89	40
3.9	67.92	36
4.0	72.00	32
4.1	76.11	29
4.2	80.27	26
4.3	84.47	23
4.4	88.71	21

Presetting	Kv Values	Zeta Values
4.5	93.00	19
4.6	97.37	17
4.7	101.62	16
4.8	105.74	15
4.9	109.75	14
5.0	112.00	13
5.1	117.46	12
5.2	121.17	11
5.3	124.79	10.6
5.4	127.52	10.2
5.5	132.00	9.5
5.6	135.16	9.0
5.7	138.47	8.6
5.8	141.74	8.2
5.9	144.89	7.9
6.0	148.00	7.5
6.1	151.54	7.1
6.2	155.63	6.8
6.3	159.10	6.5
6.4	162.38	6.3
6.5	164.03	6.1
6.6	168.44	5.8
6.7	171.26	5.6
6.8	173.95	5.5
6.9	176.53	5.3
7.0	179.01	5.2
7.1	181.37	5.0
7.2	183.65	4.9
7.3	185.85	4.8
7.4	187.96	4.7
7.5	190.04	4.6
7.6	192.37	4.5
7.7	194.66	4.4
7.8	196.85	4.3
7.9	198.96	4.2
8.0	201.00	4.1

Zeta values related to the inner pipe diameter according to DIN 2448 (DIN ISO 4200) (100.8 mm)

DN125



Presetting	Kv Values	Zeta Values
0.5	5.50	12904
0.7	8.28	5694
1.0	12.45	2518
1.1	13.84	2038
1.2	15.23	1683
1.3	16.62	1413
1.4	18.01	1203
1.5	19.40	1037
1.6	20.94	890
1.7	22.47	773
1.8	24.01	677
1.9	25.54	598
2.0	26.60	552
2.1	28.61	477
2.2	30.15	429
2.3	31.68	389
2.4	33.22	354
2.5	34.75	323
2.6	37.18	282
2.7	39.69	248
2.8	42.29	218
2.9	44.97	193
3.0	47.75	171
3.1	50.63	152
3.2	53.62	136
3.3	56.73	121
3.4	60.00	108
3.5	63.35	97
3.6	66.62	88
3.7	70.00	80
3.8	73.53	72
3.9	77.21	65
4.0	81.05	59
4.1	85.07	54
4.2	89.30	49
4.3	93.77	44
4.4	98.50	40

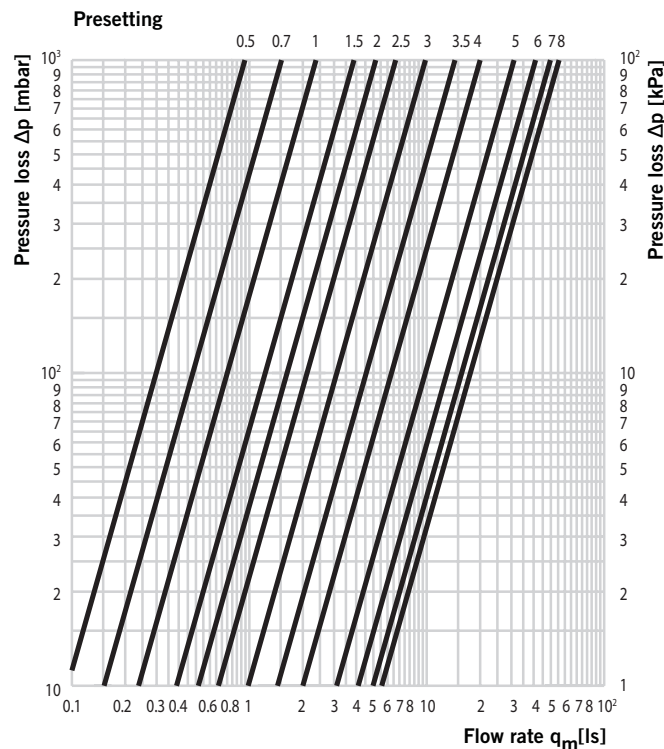
Presetting	Kv Values	Zeta Values
4.5	103.55	36
4.6	108.16	33
4.7	112.92	31
4.8	117.84	28
4.9	122.95	26
5.0	128.25	24
5.1	133.77	22
5.2	139.54	20
5.3	145.60	18
5.4	151.96	17
5.5	158.70	15
5.6	164.10	14
5.7	169.60	13.5
5.8	175.21	12.7
5.9	180.94	11.9
6.0	185.30	11.4
6.1	192.75	10.5
6.2	198.85	9.9
6.3	205.10	9.3
6.4	211.50	8.7
6.5	218.05	8.2
6.6	223.37	7.8
6.7	228.64	7.5
6.8	233.89	7.1
6.9	239.03	6.8
7.0	244.15	6.5
7.1	279.23	6.3
7.2	254.26	6.0
7.3	259.25	5.8
7.4	264.19	5.6
7.5	268.15	5.4
7.6	273.95	5.2
7.7	278.77	5.0
7.8	283.55	4.9
7.9	287.96	4.7
8.0	293.00	4.5

Zeta values related to the inner pipe diameter according to DIN 2448 (DIN ISO 4200) (125 mm)

Oventrop Double Regulating and Commissioning Valve

SERIES 7890

FLOW CHARACTERISTICS DN150

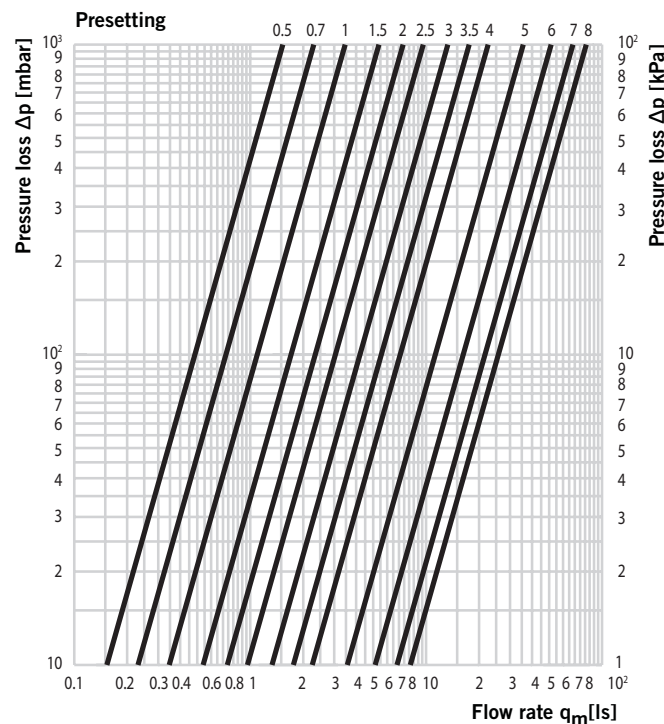


Presetting	Kv Values	Zeta Values
0.5	3.40	14279
0.7	5.46	5537
1.0	8.55	2258
1.1	9.58	1799
1.2	10.61	1466
1.3	11.64	1218
1.4	12.67	1028
1.5	14.00	842
1.6	14.73	761
1.7	15.76	665
1.8	16.79	586
1.9	17.82	520
2.0	18.50	482
2.1	19.88	418
2.2	20.91	378
2.3	21.95	343
2.4	22.97	313
2.5	24.00	287
2.6	26.00	244
2.7	28.13	209
2.8	30.40	179
2.9	32.81	153
3.0	35.40	132
3.1	38.18	113
3.2	41.17	97
3.3	44.44	84
3.4	48.02	72
3.5	52.00	61
3.6	55.93	53
3.7	59.89	46
3.8	63.89	40
3.9	67.92	36
4.0	72.00	32
4.1	76.11	29
4.2	80.27	26
4.3	84.47	23
4.4	88.71	21

Presetting	Kv Values	Zeta Values
4.5	93.00	19
4.6	97.37	17
4.7	101.62	16
4.8	105.74	15
4.9	109.75	14
5.0	112.00	13
5.1	117.46	12
5.2	121.17	11
5.3	124.79	10.6
5.4	127.52	10.2
5.5	132.00	9.5
5.6	135.16	9.0
5.7	138.47	8.6
5.8	141.74	8.2
5.9	144.89	7.9
6.0	148.00	7.5
6.1	151.54	7.1
6.2	155.63	6.8
6.3	159.10	6.5
6.4	162.38	6.3
6.5	164.03	6.1
6.6	168.44	5.8
6.7	171.26	5.6
6.8	173.95	5.5
6.9	176.53	5.3
7.0	179.01	5.2
7.1	181.37	5.0
7.2	183.65	4.9
7.3	185.85	4.8
7.4	187.96	4.7
7.5	190.04	4.6
7.6	192.37	4.5
7.7	194.66	4.4
7.8	196.85	4.3
7.9	198.96	4.2
8.0	201.00	4.1

Zeta values related to the inner pipe diameter according to DIN 2448 (DIN ISO 4200) (100.8 mm)

DN200



Presetting	Kv Values	Zeta Values
0.5	5.50	12904
0.7	8.28	5694
1.0	12.45	2518
1.1	13.84	2038
1.2	15.23	1683
1.3	16.62	1413
1.4	18.01	1203
1.5	19.40	1037
1.6	20.94	890
1.7	22.47	773
1.8	24.01	677
1.9	25.54	598
2.0	26.60	552
2.1	28.61	477
2.2	30.15	429
2.3	31.68	389
2.4	33.22	354
2.5	34.75	323
2.6	37.18	282
2.7	39.69	248
2.8	42.29	218
2.9	44.97	193
3.0	47.75	171
3.1	50.63	152
3.2	53.62	136
3.3	56.73	121
3.4	60.00	108
3.5	63.35	97
3.6	66.62	88
3.7	70.00	80
3.8	73.53	72
3.9	77.21	65
4.0	81.05	59
4.1	85.07	54
4.2	89.30	49
4.3	93.77	44
4.4	98.50	40

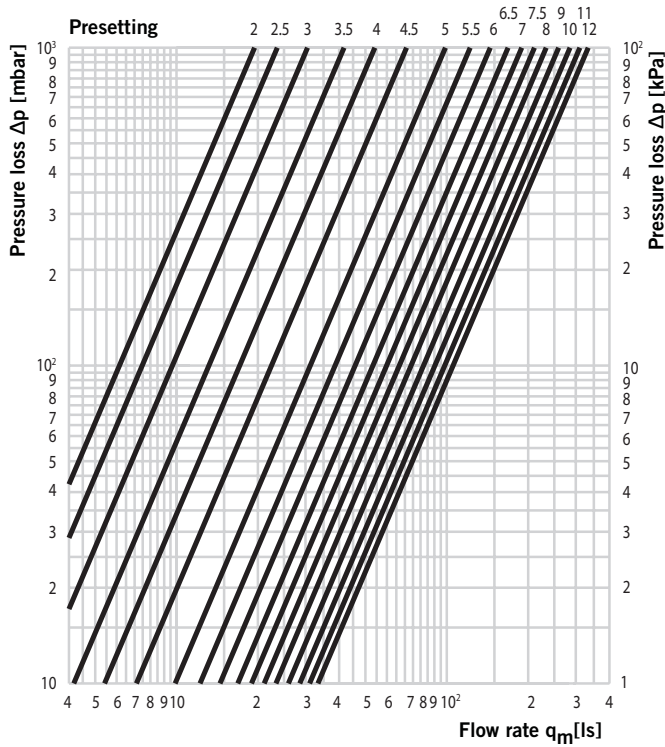
Presetting	Kv Values	Zeta Values
4.5	103.55	36
4.6	108.16	33
4.7	112.92	31
4.8	117.84	28
4.9	122.95	26
5.0	128.25	24
5.1	133.77	22
5.2	139.54	20
5.3	145.60	18
5.4	151.96	17
5.5	158.70	15
5.6	164.10	14
5.7	169.60	13.5
5.8	175.21	12.7
5.9	180.94	11.9
6.0	185.30	11.4
6.1	192.75	10.5
6.2	198.85	9.9
6.3	205.10	9.3
6.4	211.50	8.7
6.5	218.05	8.2
6.6	223.37	7.8
6.7	228.64	7.5
6.8	233.89	7.1
6.9	239.03	6.8
7.0	244.15	6.5
7.1	279.23	6.3
7.2	254.26	6.0
7.3	259.25	5.8
7.4	264.19	5.6
7.5	268.15	5.4
7.6	273.95	5.2
7.7	278.77	5.0
7.8	283.55	4.9
7.9	287.96	4.7
8.0	293.00	4.5

Zeta values related to the inner pipe diameter according to DIN 2448 (DIN ISO 4200) (125 mm)

Oventrop Double Regulating and Commissioning Valve

SERIES 7890

FLOW CHARACTERISTICS DN250



Presetting	kv values	Zeta values
2.0	70.0	1318
2.1	72.5	1229
2.2	75.5	1133
2.3	79.0	1035
2.4	82.0	961
2.5	85.0	894
2.6	89.5	806
2.7	94.0	731
2.8	99.0	659
2.9	104.5	592
3.0	110.0	534
3.1	117.0	472
3.2	123.5	424
3.3	130.5	379
3.4	139.0	334
3.5	150.0	287
3.6	155.0	269
3.7	164.0	240
3.8	174.0	213
3.9	184.0	191
4.0	195.0	170
4.1	208.0	149
4.2	221.0	132
4.3	236.0	116
4.4	252.0	102
4.5	270.0	89
4.6	287.0	78
4.7	304.0	70
4.8	321.0	63
4.9	338.0	57
5.0	356.0	51
5.1	373.0	46
5.2	390.0	42
5.3	407.0	39
5.4	423.0	36
5.5	440.0	33
5.6	457.0	31
5.7	473.0	29
5.8	490.0	27
5.9	506.0	25
6.0	522.0	24
6.1	539.0	22
6.2	555.0	21
6.3	571.0	20
6.4	587.0	19
6.5	607.0	18
6.6	619.0	17
6.7	635.0	16
6.8	651.0	15
6.9	666.0	15

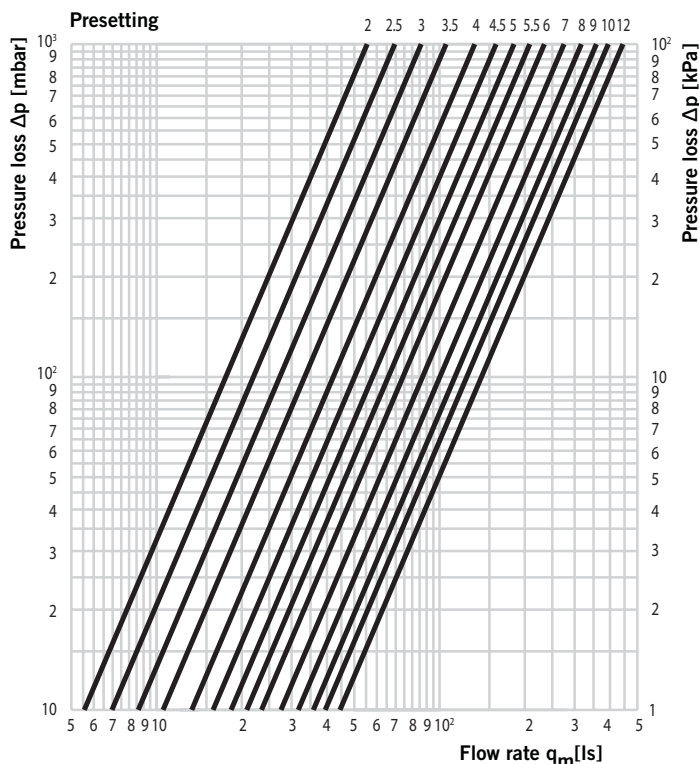
Presetting	kv values	Zeta values
7.0	682.0	14
7.1	698.0	13
7.2	714.0	13
7.3	729.0	12
7.4	745.0	12
7.5	760.0	11
7.6	778.0	11
7.7	795.0	10
7.8	811.0	10
7.9	826.0	10
8.0	840.0	9
8.1	850.0	9
8.2	860.0	9
8.3	870.0	8
8.4	880.0	8
8.5	890.0	8
8.6	899.0	8
8.7	907.0	8
8.8	916.0	8
8.9	925.0	8
9.0	933.0	7
9.1	942.0	7
9.2	952.0	7
9.3	961.0	7
9.4	970.0	7
9.5	980.0	7
9.6	989.0	7
9.7	998.0	6
9.8	1008.0	6
9.9	1018.0	6
10.0	1028.0	6
10.1	1038.0	6
10.2	1048.0	6
10.3	1059.0	6
10.4	1071.0	6
10.5	1080.0	6
10.6	1088.0	5
10.7	1096.0	5
10.8	1104.0	5
10.9	1112.0	5
11.0	1120.0	5
11.1	1128.0	5
11.2	1136.0	5
11.3	1144.0	5
11.4	1152.0	5
11.5	1160.0	5
11.6	1168.0	5
11.7	1176.0	5
11.8	1184.0	5
11.9	1192.0	4
12.0	1200.0	4

Zeta values related to the inner pipe diameter according to DIN 2448 (DIN ISO 4200) (254.4 mm)

Oventrop Double Regulating and Commissioning Valve

SERIES 7890

FLOW CHARACTERISTICS DN300



Presetting	kv values	Zeta values
2.0	200.0	325
2.1	210.0	295
2.2	220.0	269
2.3	230.0	246
2.4	240.0	226
2.5	250.0	208
2.6	261.0	191
2.7	273.0	174
2.8	285.0	160
2.9	297.0	147
3.0	310.0	135
3.1	323.0	125
3.2	336.0	115
3.3	350.0	106
3.4	365.0	98
3.5	380.0	90
3.6	401.0	81
3.7	421.0	73
3.8	441.0	67
3.9	461.0	61
4.0	480.0	56
4.1	499.0	52
4.2	517.0	49
4.3	535.0	45
4.4	553.0	43
4.5	570.0	40
4.6	588.0	38
4.7	606.0	35
4.8	624.0	33
4.9	642.0	32
5.0	660.0	30
5.1	678.0	28
5.2	696.0	27
5.3	714.0	26
5.4	732.0	24
5.5	750.0	23
5.6	771.0	22
5.7	791.0	21
5.8	810.0	20
5.9	828.0	19
6.0	845.0	18
6.1	861.0	18
6.2	877.0	17
6.3	892.0	16
6.4	906.0	16
6.5	920.0	15
6.6	933.0	15
6.7	947.0	14
6.8	961.0	14
6.9	975.0	14

Presetting	kv values	Zeta values
7.0	990.0	13
7.1	1005.0	13
7.2	1020.0	12
7.3	1036.0	12
7.4	1053.0	12
7.5	1070.0	11
7.6	1084.0	11
7.7	1098.0	11
7.8	1112.0	11
7.9	1126.0	10
8.0	1140.0	10
8.1	1154.0	10
8.2	1168.0	10
8.3	1182.0	9
8.4	1196.0	9
8.5	1210.0	9
8.6	1228.0	9
8.7	1245.0	8
8.8	1261.0	8
8.9	1276.0	8
9.0	1290.0	8
9.1	1303.0	8
9.2	1316.0	8
9.3	1328.0	7
9.4	1339.0	7
9.5	1350.0	7
9.6	1365.0	7
9.7	1379.0	7
9.8	1393.0	7
9.9	1407.0	7
10.0	1420.0	6
10.1	1433.0	6
10.2	1446.0	6
10.3	1457.0	6
10.4	1468.0	6
10.5	1480.0	6
10.6	1490.0	6
10.7	1500.0	6
10.8	1510.0	6
10.9	1520.0	6
11.0	1530.0	6
11.1	1539.0	5
11.2	1547.0	5
11.3	1555.0	5
11.4	1563.0	5
11.5	1570.0	5
11.6	1577.0	5
11.7	1583.0	5
11.8	1589.0	5
11.9	1595.0	5
12.0	1600.0	5

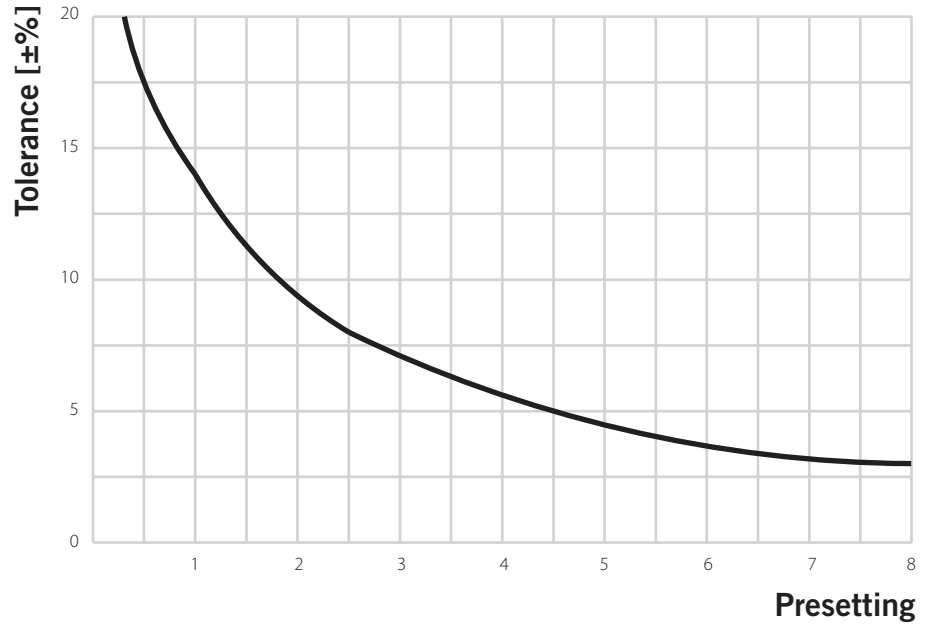
Zeta values related to the inner pipe diameter according to DIN 2448 (DIN ISO 4200) (300 mm)

Oventrop Double Regulating and Commissioning Valve

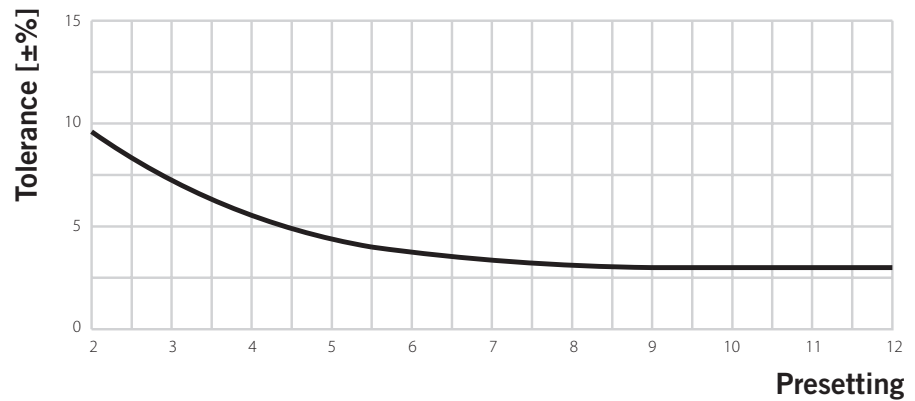
SERIES 7890

FLOW TOLERANCE

Flow tolerances depending on the presetting for DN 65-DN 150



Flow tolerances depending on the presetting for DN 200 – DN 300

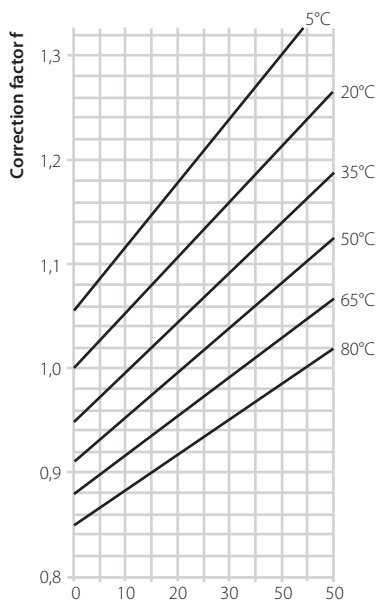


Oventrop Double Regulating and Commissioning Valve

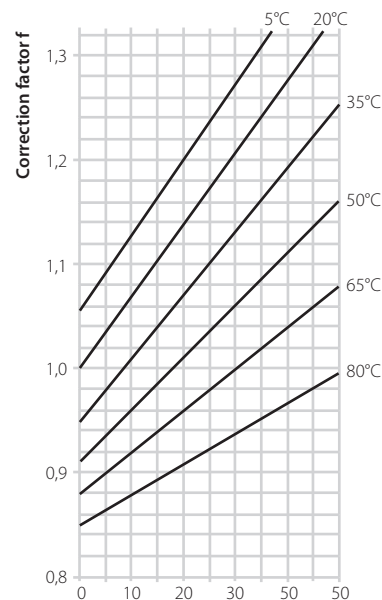
SERIES 7890

CORRECTION FACTORS

When antifreeze liquids are added to the heating water, the pressure loss given in the chart must be multiplied by the correction factor f



Weight proportion of ethylene glycol [%]



Weight proportion of propylene glycol [%]

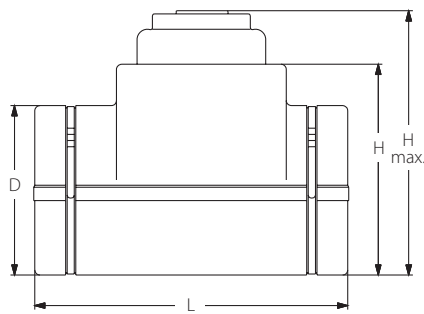
Oventrop Double Regulating and Commissioning Valve

SERIES 7890

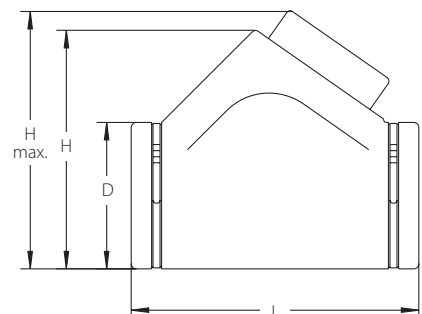
INSULATION SHELLS DRV DN65 – DN200

The insulation shells have a CFC-free inner core made of polyurethane foam with a 1,5mm plastic coat. It consists of two double shells which are tightened by two metal straps.

Size	Dimensions – mm			
DN	L	D	Hmax.	H
65	505	260	410	290
80	530	280	415	315
100	580	320	520	380
125	620	360	560	420
150	730	400	600	460
200	800	450	760	650



DN65 – DN150 SIZES



DN200 SIZE

WARRANTY

Refer to the Warranty section of the current Price List or contact Victaulic for details.

NOTE

This product shall be manufactured by Victaulic or to Victaulic specifications. All products to be installed in accordance with current Victaulic installation/assembly instructions. Victaulic reserves the right to change product specifications, designs and standard equipment without notice and without incurring obligations.



For complete contact information, visit www.victaulic.com

08.70 4608 REV A UPDATED 9/2006

VICTAULIC IS A REGISTERED TRADEMARK OF VICTAULIC COMPANY. © 2006 VICTAULIC COMPANY. ALL RIGHTS RESERVED. PRINTED IN THE USA.

